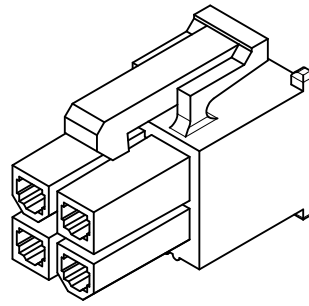
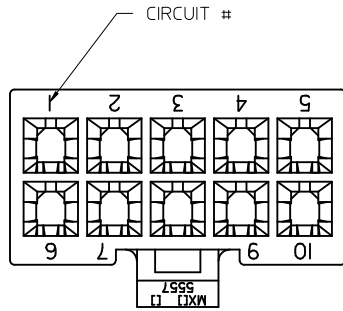


NOTES:

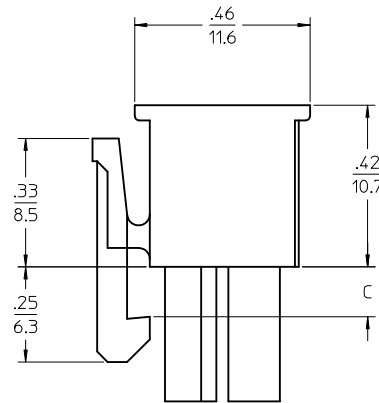
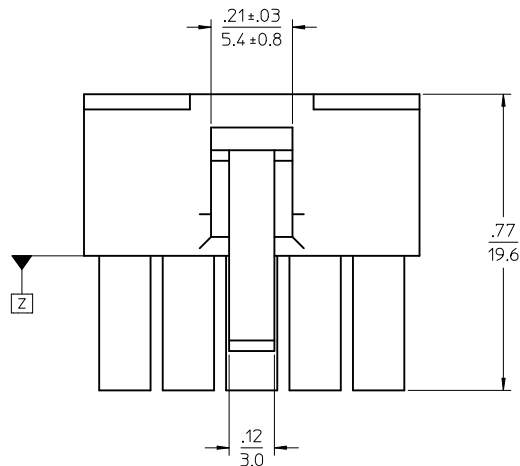
1) MATERIAL:

- *"BLANK" = NYLON 6/6, 94V-2, COLOR: NATURAL.
 - *"BL" = NYLON 6/6, 94V-2, COLOR: BLACK.
 - *"RE" = NYLON 6/6, 94V-2, COLOR: RED.
 - *"YE" = NYLON 6/6, 94V-2, COLOR: YELLOW
 - *"210" = NYLON 6/6, 94V-0, COLOR: NATURAL.
 - *"225" = NYLON 6, UL94V-0, COLOR: BLACK, IEC 60335-1, 4th EDITION GLOW WIRE CAPABLE.
 - *"225N" = NYLON 6, UL94V-0, COLOR: WHITE, IEC 60335-1, 4th EDITION GLOW WIRE CAPABLE.
 - *"400" = NYLON 6/6, 94V-0, COLOR: BLACK.
- 2) FINISH: NOT APPLICABLE
 3) PRODUCT SPECIFICATION: PS-5556-001
 4) PACKAGING: BULK
 5) PART MATES WITH MOLEX PLUG #5559 AND HEADERS #5566, #5569.
 6) PART TO BE USED WITH MOLEX FEMALE TERMINAL #5556.
 7) PART IS NOT DESIGNED FOR CURRENT SHARING.
 8) CONNECTORS ARE NOT TO BE MATED OR UNMATED WHILE CIRCUITS ARE LIVE.
 9) WIRES ARE TO BE DRESSED IN SUCH A MANNER TO ALLOW THE TERMINALS TO FLOAT FREELY IN THE POCKET.
 10) PART CONFORMS TO CLASS "B" REQUIREMENTS OF COSMETIC SPECIFICATION PS-45499-002 WITH THE EXCEPTION OF DISCOLORATION, FLASH AND SINK MEET CLASS "C" REQUIREMENTS.

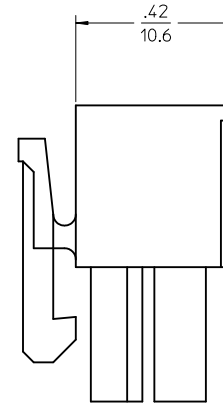
\triangle TO BE MEASURED AT SURFACE \square



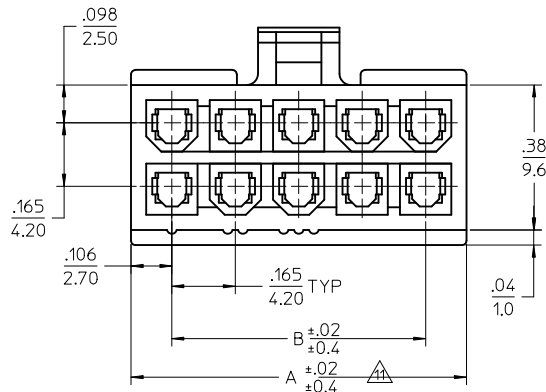
4 CKT SHOWN



4-24 CKT

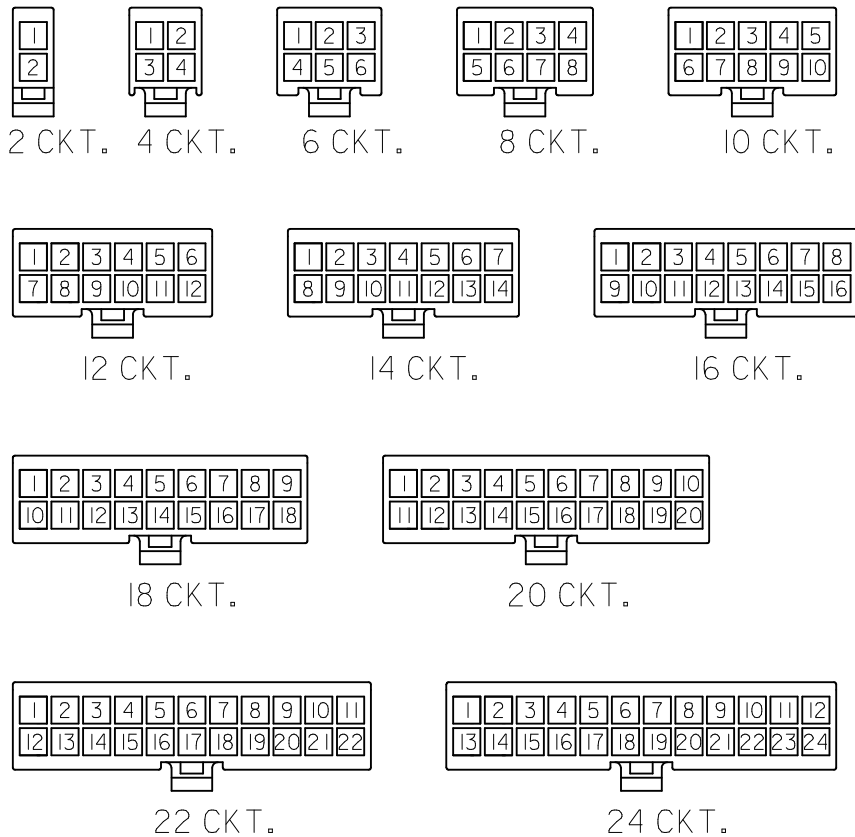


2 CKT ONLY

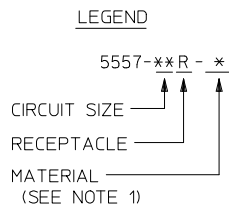


2.031/(51.60)	1.819/(46.20)		24
1.866/(47.40)	1.654/(42.00)		22
1.701/(43.20)	1.488/(37.80)	.142/	20
1.535/(39.00)	1.323/(33.60)	(3.60)	18
1.370/(34.80)	1.157/(29.40)		16
1.205/(30.60)	0.992/(25.20)		14
1.039/(26.40)	0.827/(21.00)		12
0.874/(22.20)	0.661/(16.80)		10
0.709/(18.00)	0.496/(12.60)	.129/	8
0.543/(13.80)	0.331/(8.40)	(3.30)	6
0.378/(9.60)	0.165/(4.20)		4
0.213/(5.40)			2
A	B	C	NO. OF CKTS.

UPDATED TABLE IEC NO: UCP2011-2362 DRWN: JAGUILAR 2011/02/09 CHKD: JBELL 2011/02/09 APPR: FSMITH 2011/02/21 REV: J6	QUALITY SYMBOLS	GENERAL TOLERANCES (UNLESS SPECIFIED)	DIMENSION STYLE	SCALE	DESIGN UNITS	THIRD ANGLE PROJECTION	
		mm INCH	IN/MM	4:1	METRIC		
		4 PLACES ± -- ± ---	DRAWN BY S. MOCHIZUKI DATE '90/02/22	CHECKED BY M. FUKUSHIMA DATE '97/01/08	NEW MINI FIT CONN REC. HOUSING		
		3 PLACES ± -- ± .010	APPROVED BY FSMITH DATE 2011/02/21	MATERIAL NO. SD-5557-003			
	2 PLACES ± 0.25 ± .015	DRAFT WHERE APPLICABLE MUST REMAIN WITHIN DIMENSIONS		MOLEX INCORPORATED			
	1 PLACE ± 0.38 ± ---	SEE CHART		DOCUMENT NO. SD-5557-003			
	ANGULAR ± 3 °	SHEET NO. 1 OF 2		THIS DRAWING CONTAINS INFORMATION THAT IS PROPRIETARY TO MOLEX INCORPORATED AND SHOULD NOT BE USED WITHOUT WRITTEN PERMISSION			



CIRCUIT SIZE LAYOUT
(NOT TO SCALE)



V-0 GLOW WIRE (BLACK)			V-0 GLOW WIRE (WHITE)		
50-36-1667	5557-24R-225	24	-	-	24
26-01-3167	5557-22R-225	22	-	-	22
* 26-01-3166	5557-20R-225	20	-	-	20
50-36-1668	5557-18R-225	18	-	-	18
50-36-1669	5557-16R-225	16	-	-	16
50-36-2293	5557-14R-225	14	-	-	14
50-36-1674	5557-12R-225	12	-	-	12
50-36-1671	5557-10R-225	10	-	-	10
50-36-1713	5557-08R-225	8	-	-	8
50-36-1672	5557-06R-225	6	26-01-3176	5557-06R-225N	6
50-30-4461	5557-04R-225	4	50-36-2301	5557-04R-225N	4
50-36-1673	5557-02R-225	2	-	-	2
EDP. NO.	ENG. NO.	NO. OF CKTS.	EDP. NO.	ENG. NO.	NO. OF CKTS.

V-0 (BLACK)			V-0 (NATURAL)		
* 39-03-9242	5557-24R-400	24	39-01-2245	5557-24R-210	24
* 39-03-9222	5557-22R-400	22	39-01-2225	5557-22R-210	22
* 39-03-9202	5557-20R-400	20	39-01-2205	5557-20R-210	20
* 39-03-9182	5557-18R-400	18	39-01-2185	5557-18R-210	18
* 39-03-9162	5557-16R-400	16	39-01-2165	5557-16R-210	16
* 39-03-9142	5557-14R-400	14	39-01-2145	5557-14R-210	14
* 39-03-9122	5557-12R-400	12	39-01-2125	5557-12R-210	12
* 39-03-9102	5557-10R-400	10	39-01-2105	5557-10R-210	10
* 39-03-9082	5557-08R-400	8	39-01-2085	5557-08R-210	8
* 39-03-9062	5557-06R-400	6	39-01-2065	5557-06R-210	6
39-03-9042	5557-04R-400	4	39-01-2045	5557-04R-210	4
39-03-9022	5557-02R-400	2	39-01-2025	5557-02R-210	2
EDP. NO.	ENG. NO.	NO. OF CKTS.	EDP. NO.	ENG. NO.	NO. OF CKTS.

* = CONSULT FACTORY FOR AVAILABILITY.

V-2 (YELLOW)			V-2 (RED)			V-2 (BLACK)			V-2 (NATURAL)		
		24	-	-	24	* 39-01-3245	5557-24R-BL	24	39-01-2240	5557-24R	24
		22	-	-	22	39-01-3225	5557-22R-BL	22	39-01-2220	5557-22R	22
		20	-	-	20	* 39-01-3205	5557-20R-BL	20	39-01-2200	5557-20R	20
		18	-	-	18	* 39-01-3185	5557-18R-BL	18	39-01-2180	5557-18R	18
		16	-	-	16	* 39-01-3165	5557-16R-BL	16	39-01-2160	5557-16R	16
		14	-	-	14	39-01-3145	5557-14R-BL	14	39-01-2140	5557-14R	14
		12	-	-	12	39-01-3125	5557-12R-BL	12	39-01-2120	5557-12R	12
		10	-	-	10	39-01-3105	5557-10R-BL	10	39-01-2100	5557-10R	10
		8	-	-	8	39-01-3085	5557-08R-BL	8	39-01-2080	5557-08R	8
* 39-02-8061	5557-06R-YE	6	-	-	6	39-01-3065	5557-06R-BL	6	39-01-2060	5557-06R	6
* 39-02-8041	5557-04R-YE	4	* 39-02-8040	5557-04R-RE	4	39-01-3045	5557-04R-BL	4	39-01-2040	5557-04R	4
* 39-02-8021	5557-02R-YE	2			2	39-01-3025	5557-02R-BL	2	39-01-2020	5557-02R	2
EDP. NO.	ENG. NO.	NO. OF CKTS.	EDP. NO.	ENG. NO.	NO. OF CKTS.	EDP. NO.	ENG. NO.	NO. OF CKTS.	EDP. NO.	ENG. NO.	NO. OF CKTS.

SEE SHEET 1 EC NO: UCP2011-2362 DRWN: J JAGUILAR 2011/02/09 CHKD: J BELL 2011/02/09 APPR: F SMITH 2011/02/21 J6	QUALITY SYMBOLS 	GENERAL TOLERANCES (UNLESS SPECIFIED)		DIMENSION STYLE IN/MM		SCALE DESIGN UNITS METRIC		THIRD ANGLE PROJECTION			
		4 PLACES ± -- ± --- 3 PLACES ± -- ± .010 2 PLACES ± 0.25 ± .015 1 PLACE ± 0.38 ± ---		DRAWN BY S. MOCHIZUKI '90/02/22		TITLE NEW MINI FIT CONN REC. HOUSING		MOLEX INCORPORATED		SHEET NO. 2 OF 2	
		ANGULAR ± 3 °		APPROVED BY F SMITH 2011/02/21		SEE CHART		DOCUMENT NO. SD-5557-003		THIS DRAWING CONTAINS INFORMATION THAT IS PROPRIETARY TO MOLEX INCORPORATED AND SHOULD NOT BE USED WITHOUT WRITTEN PERMISSION	
		DRAFT WHERE APPLICABLE MUST REMAIN WITHIN DIMENSIONS		MATERIAL NO.		SIZE C		MOLEX INCORPORATED		MOLEX INCORPORATED	