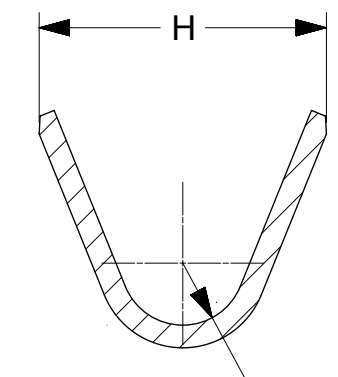
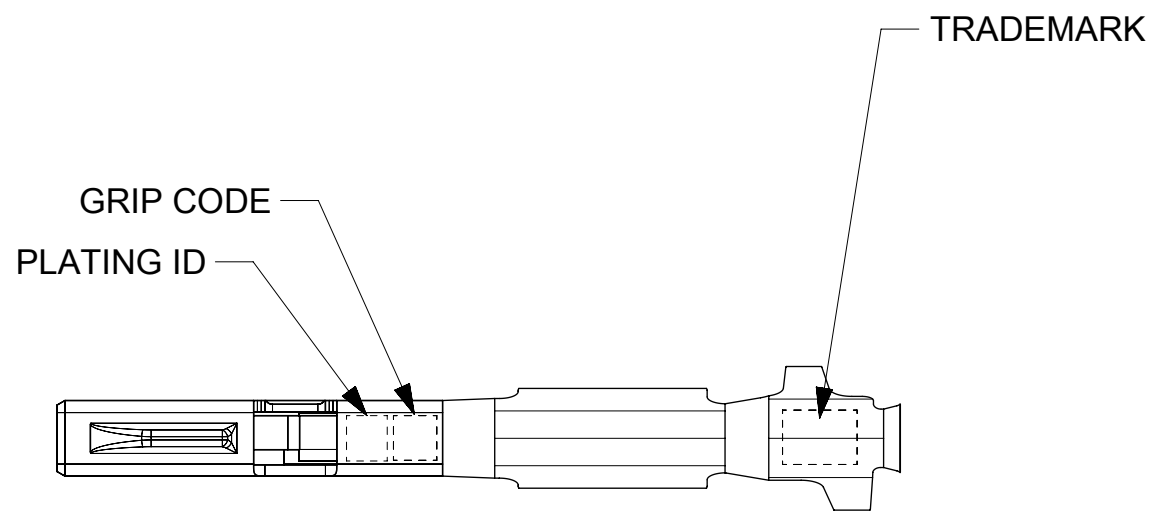
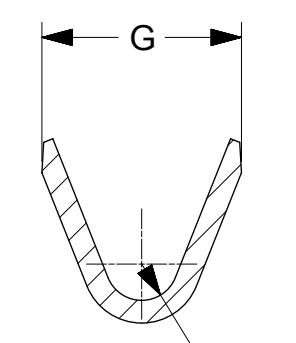
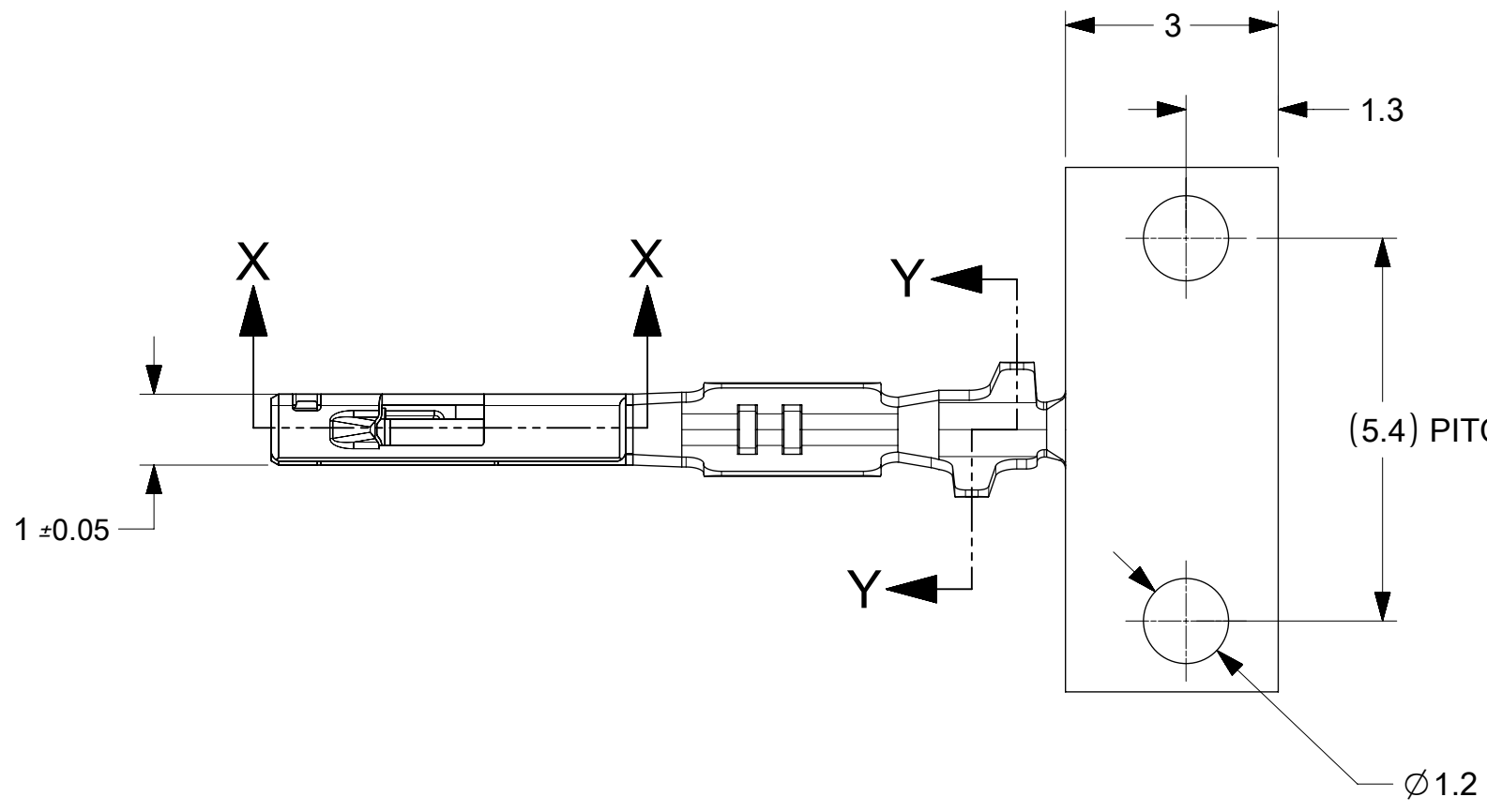
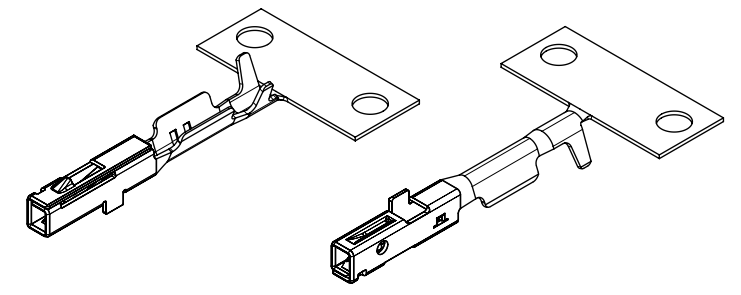


SECTION X-X
SCALE 10:1
PARTIAL



SECTION Y-Y
SCALE 20:1



SECTION Z-Z
SCALE 20:1

- NOTES: (UNLESS OTHERWISE SPECIFIED)
1. MATERIAL: COPPER ALLOY
 2. PLATING: SEE TABLE 1
 3. PACKAGING PER PK-31301-319
 4. CRIMPING PER AS-560023-001
 5. PROBING THE CONTACT INTERFACE OF THE TERMINAL OR AT ANY POINT ON THE TERMINAL BEAM IS NOT PERMITTED
 6. -0422, -0424 TO BE DISCONTINUED AND REPLACED WITH -0444, -0445
-0444, -0445 VALIDATED TO USCAR21 REV3
SECTIONS 4.3, 4.4, & 4.5.2.

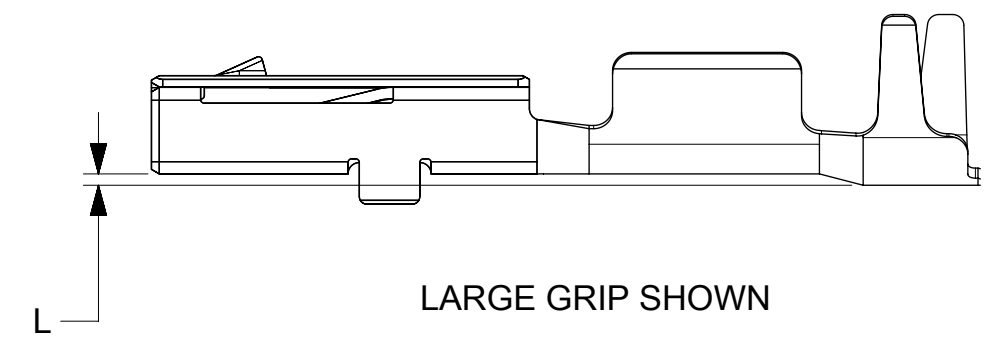
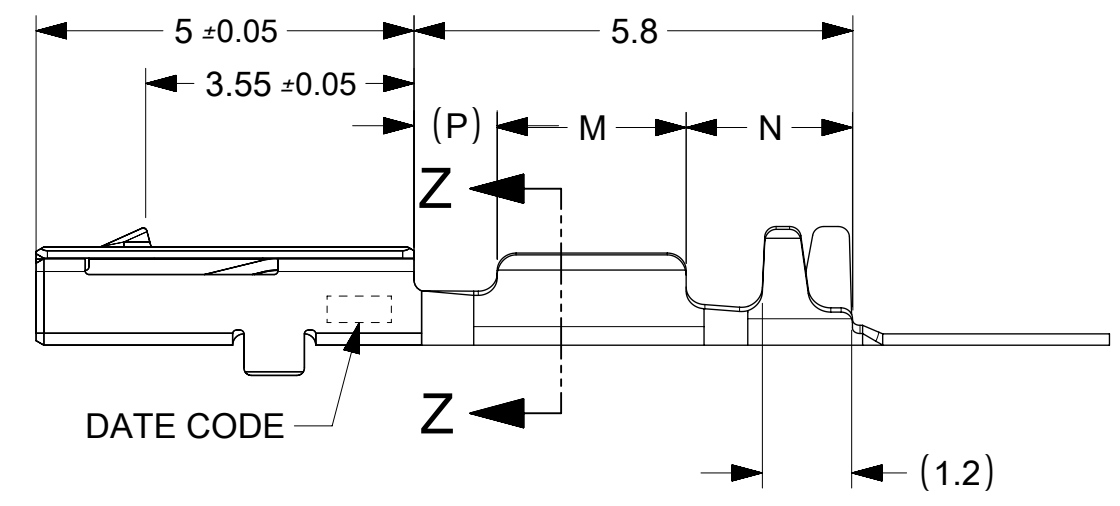
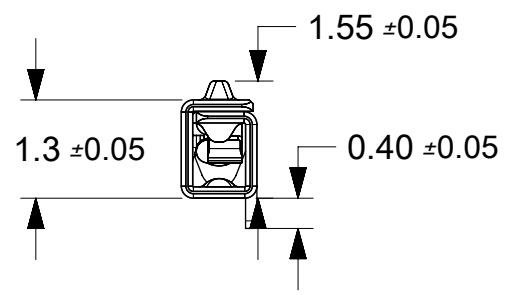


TABLE 1

PART NUMBERS		Plating	STATUS	GRIP CODE	WIRE GAGE mm ²	INSULATION MAX O.D. mm	DIM G	DIM H	DIM J	DIM K	DIM L	DIM M	DIM N	DIM P
D-WIND (LEFT PAYOFF) DEFAULT	B-WIND (RIGHT PAYOFF)						+0.20 -0.15	±0.20	±0.10	±0.20	±0.05	±0.10	±0.10	REF
560023-0421	560023-0423	Sn	SALEABLE	M	0.22	1.20	1.65	2.25	0.45	0.47	0.00	2.00	2.4	1.4
560023-0422*	560023-0424*	Sn		S	0.13	1.05	1.27	1.90	0.34	0.41	0.00	2.00	2.4	1.4
560023-0444	560023-0445	Sn		S	0.13	1.05	1.32	1.90	0.24	0.41	0.00	2.50	2.2	1.1
560023-0448	560023-0450	Sn		L	0.35	1.40	1.65	2.35	0.40	0.68	0.15	2.50	2.2	1.1
560023-0521	560023-0523	Au	IN VALIDATION	M	0.22	1.20	1.65	2.25	0.45	0.47	0.00	2.00	2.4	1.4
560023-0544	560023-0545	Au		S	0.13	1.05	1.32	1.90	0.24	0.41	0.00	2.50	2.2	1.1
560023-0548	560023-0550	Au	SALEABLE	L	0.35	1.40	1.65	2.35	0.40	0.68	0.15	2.50	2.2	1.1

*SMALL GRIP CHANGE (SEE NOTE 6)

THIS DRAWING CONTAINS INFORMATION THAT IS PROPRIETARY TO MOLEX ELECTRONIC TECHNOLOGIES, LLC AND SHOULD NOT BE USED WITHOUT WRITTEN PERMISSION

QUALITY SYMBOLS	EC DESCRIPTION	GENERAL TOLERANCES (UNLESS SPECIFIED)		DIMENSION UNITS		SCALE	molex
		MM	INCH	mm	15:1		
▽ = 0	EC NO: 169233 DRWN: NVENKATESHSH CHKD: TOMSMITH APPR: TOMSMITH 2017/11/10 2018/01/29 2018/01/29	DRWN BY		DATE		CTX50 RECEPTACLE TERMINAL UNSEALED	
▽ = 0		TJSMITH		2009/05/02			
▽ = 0		CHK'D BY		DATE			
▽ = 0		2 PLACES ± 0.10 ± ---		DNICHOLAS		2009/05/20	
▽ = 0		1 PLACES ± 0.10 ± ---		APPR BY		DATE	
▽ = 0		0 PLACES ± --- ± ---		BMOSER		2009/05/20	
▽ = 0	ANGULAR TOL = 5		DRAWING SIZE		THIRD ANGLE PROJECTION		
▽ = 0	DRAFT WHERE APPLICABLE MUST REMAIN WITHIN DIMENSIONS		C				
▽ = 0	H3	SERIES		MATERIAL NUMBER		CUSTOMER	
		560023		SEE TABLE		GENERAL MARKET	
		DOCUMENT NUMBER		DOC TYPE		DOC PART	
		SD-560023-002		PSD		000	
		SHEET NUMBER		1 OF 1			