

M加長型金屬電纜固定頭 W型  
Metric-Length Type Metal Cable Glands W Type

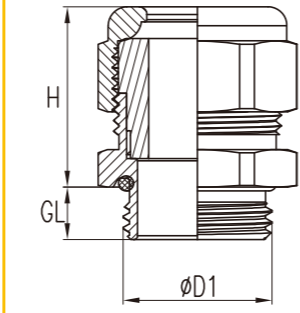


→ M-Length



材料：鍍鎳黃銅 Material: Nickel-plated brass  
 防水圈：硅橡膠 Seal: Silicone Rubber  
 O型圈：硅橡膠 O-Ring: Silicone Rubber  
 工作溫度：-40°C至125°C Working temperature: -40°C to 125°C

PROFILE



Thread ØD1	Øk mm	H mm	GL mm	⌀ mm	Beisit No.	Article No.
M12 x 1.5	3-5	21	10	17	M1205BRL-W	1.114.1201.2131
M12 x 1.5	4-6.5	21	10	17	M1207BRL-W	1.114.1201.0131
M16 x 1.5	4-6	24	10	20	M1606BRL-W	1.114.1601.6131
M16 x 1.5	4.5-7	24	10	20	M1607BRL-W	1.114.1601.5131
M16 x 1.5	5-8	24	10	20	M1608BRL-W	1.114.1601.2131
M16 x 1.5	7-10	24	10	20	M1610BRL-W	1.114.1601.0131
M20 x 1.5	4.5-7	25.5	10	20/22	M2007BRL-W	1.114.2001.5131
M20 x 1.5	5-8	25.5	10	20/22	M2008BRL-W	1.114.2001.2131
M20 x 1.5	7-10	25.5	10	20/22	M2010BRL-W	1.114.2001.0131
M20 x 1.5	8-12	28.5	10	24	M2012BRL-W	1.114.2031.2131
M20 x 1.5	9-13	28.5	10	24	M2013BRL-W	1.114.2031.0131
M25 x 1.5	8-12	28.5	12	24/30	M2512BRL-W	1.114.2501.2131
M25 x 1.5	9-13	28.5	12	24/30	M2513BRL-W	1.114.2501.0131
M25 x 1.5	10-14	30	12	30	M2514BRL-W	1.114.2531.6131
M25 x 1.5	11-15	30	12	30	M2515BRL-W	1.114.2531.2131
M25 x 1.5	13-17	30	12	30	M2517BRL-W	1.114.2531.5131
M25 x 1.5	14-18	30	12	30	M2518BRL-W	1.114.2531.0131
M32 x 1.5	10-14	31	12	30/36	M3214BRL-W	1.114.3231.6131
M32 x 1.5	11-15	31	12	30/36	M3215BRL-W	1.114.3201.2131
M32 x 1.5	13-17	31	12	30/36	M3217BRL-W	1.114.3201.5131
M32 x 1.5	14-18	31	12	30/36	M3218BRL-W	1.114.3201.0131
M32 x 1.5	17-21	32	12	36	M3221BRL-W	1.114.3231.2131
M32 x 1.5	18-22	32	12	36	M3222BRL-W	1.114.3231.0131
M40 x 1.5	17-21	32.5	15	36/45	M4021BRL-W	1.114.4001.2131
M40 x 1.5	18-22	32.5	15	36/45	M4022BRL-W	1.114.4001.0131
M40 x 1.5	21-26	37.5	15	50	M4026BRL-W	1.114.4031.5131
M40 x 1.5	24-28	37.5	15	50	M4028BRL-W	1.114.4031.2131
M40 x 1.5	25-30	37.5	15	50	M4030BRL-W	1.114.4031.0131
M50 x 1.5	26-31	39.5	15	57	M5031BRL-W	1.114.5001.5131
M50 x 1.5	31-35.5	39.5	15	57	M5036BRL-W	1.114.5001.2131
M50 x 1.5	36-40	39.5	15	57	M5040BRL-W	1.114.5001.0131
M63 x 1.5	39-45	40	15	68	M6345BRL-W	1.114.6301.0131



PG型電纜固定頭  
PG Type Nylon Cable Glands

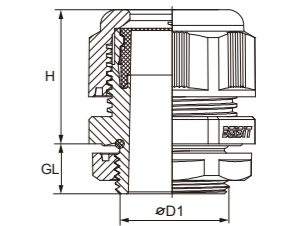


→ PG



材料：採用UL認可的尼龍材料 Material: PA (NYLON), UL 94 V-2  
 防水圈：丁腈橡膠 (可選EPDM, 硅橡膠, TPV等) Seal: NBR (optional material EPDM, Silicone Rubber, TPV)  
 O型圈：EPDM (可選硅橡膠, TPV, 氟橡膠等) O-Ring: EPDM (optional material, Silicone Rubber, TPV, FPM)  
 工作溫度：-40°C至100°C Working temperature: -40°C to 100°C  
 顏色種類：灰色、黑色、其他顏色可定做 Color: Grey(RAL7035), Black(RAL9005), other colors customized.  
 材料種類：V0或F1可定做 Material options: V0, or F1 can be offered upon request.

PROFILE



Thread ØD1	Øk mm	H mm	GL mm	⌀ mm	Beisit No. RAL7035	Article No. RAL7035	Beisit No. RAL9005	Article No. RAL9005
PG 7	3-6.5	21	8	15	P0707	1.210.0701.0200	P0707B	1.210.0703.0200
PG 7	2-5	21	8	15	P0705	1.210.0701.2200	P0705B	1.210.0703.2200
PG 9	4-8	22	8	19	P0908	1.210.0901.0200	P0908B	1.210.0903.0200
PG 9	2-6	22	8	19	P0906	1.210.0901.2200	P0906B	1.210.0903.2200
PG 11	5-10	25	8	22	P1110	1.210.1101.0200	P1110B	1.210.1103.0200
PG 11	3-7	25	8	22	P1107	1.210.1101.2200	P1107B	1.210.1103.2200
PG 13.5	6-12	27	9	24	P13512	1.210.1301.0200	P13512B	1.210.1303.0200
PG 13.5	5-9	27	9	24	P13509	1.210.1301.2200	P13509B	1.210.1303.2200
PG 16	10-14	28	10	27	P1614	1.210.1601.0200	P1614B	1.210.1603.0200
PG 16	7-12	28	10	27	P1612	1.210.1601.2200	P1612B	1.210.1603.2200
PG 21	13-18	31	11	33	P2118	1.210.2101.0200	P2118B	1.210.2103.0200
PG 21	9-16	31	11	33	P2116	1.210.2101.2200	P2116B	1.210.2103.2200
PG 29	18-25	37	11	42	P2925	1.210.2901.0200	P2925B	1.210.2903.0200
PG 29	13-20	37	11	42	P2920	1.210.2901.2200	P2920B	1.210.2903.2200
PG 36	22-32	48	13	53	P3632	1.210.3601.0200	P3632B	1.210.3603.0200
PG 36	20-26	48	13	53	P3626	1.210.3601.2200	P3626B	1.210.3603.2200
PG 42	32-38	49	13	60	P4238	1.210.4201.0200	P4238B	1.210.4203.0200
PG 42	25-31	49	13	60	P4231	1.210.4201.2200	P4231B	1.210.4203.2200
PG 48	37-44	49	14	65	P4844	1.210.4801.0200	P4844B	1.210.4803.0200
PG 48	29-35	49	14	65	P4835	1.210.4801.2200	P4835B	1.210.4803.2200
PG 48	25-30.5	49	14	65	P4830	1.210.4801.7200	P4830B	1.210.4803.7200
PG 48	30.5-40	49	14	65	P4840	1.210.4801.6200	P4840B	1.210.4803.6200
PG 48	18-44	49	14	65	P4824-T	1.210.4801.6220	P4824B-T	1.210.4803.6220
PG 48	40-50	52	14	70	P4850	1.210.4891.0200	P4850B	1.210.4893.0200
PG 48	30-50	52	14	70	P4840-T	1.210.4871.1227	P4840B-T	1.210.4873.1227
★ 非常規螺紋 Non-Standard Thread								
★ PG 19	12-15	33	11	27	P1915-HW	8.210.1981.0227	P1915B-HW	8.210.1983.0227
★ PG 19	12-15.5	30	12	27	P1916-DH	1.210.1901.0000	P1916B-DH	1.210.1903.0000

專利產品 Patented product.

