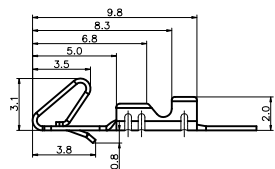


Female Terminal

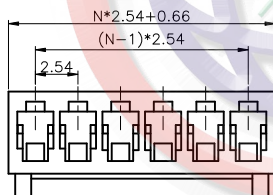
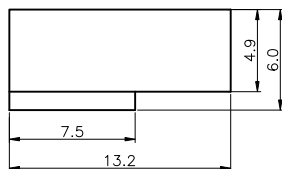


Female Terminal

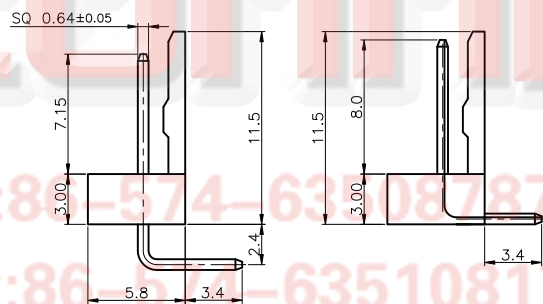
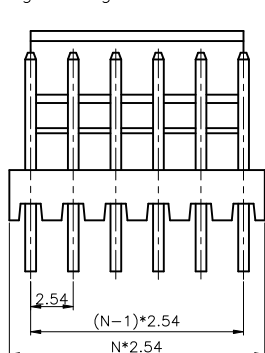
Wire Range		O.D of Wire
Section Area (mm ²)	AWG#	mm
0.2~0.75	28~18	1.2~2.1



Female Housing



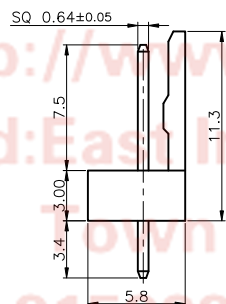
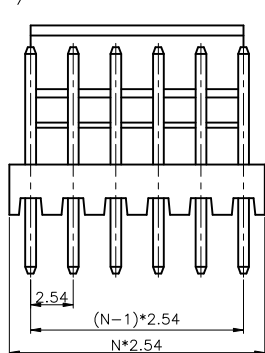
Male Right Angle



Type A

Type B

Male V/T TYPE



N=NO. OF CONTACTS

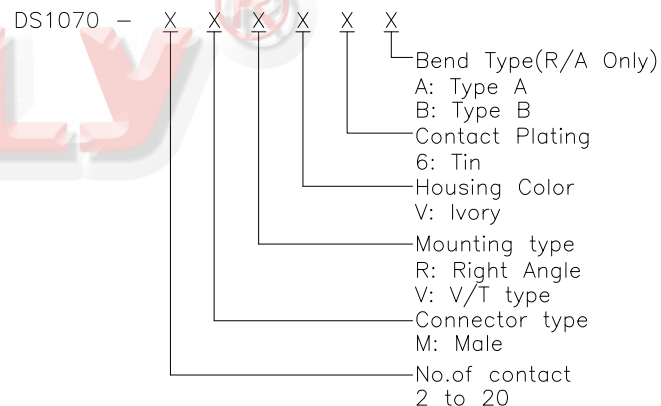
REV.	DESCRIPTION	DRAWN	CHECKED	APPROVED
A	NEW RELEASE	YCH 06/27/08'	~	LJC 06/27/08'
B	DRAWING UPDATE	JLZ 08/30/16'	~	

NOTES:

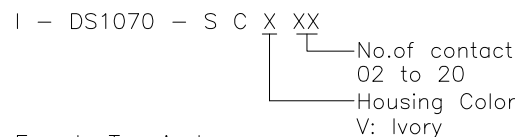
1. MAIN SPECIFICATIONS

- . Housing material: NYLON 66
- . Contact material: Copper alloy
- . Rated voltage: 250V
- . Rated current: 3A
- . Contact resistance: ≤ 30mΩ
- . Insulation resistance: ≥ 1000MΩ
- . Withstanding voltage: 500V,AC 1 minute
- . Temperature range: -25 ~ +85°C

2. PRODUCT NUMBER CODE:



Female Housing:



Female Terminal:



GENERAL TOLERANCE		ANGLE TOLERANCE	
X.	±0.60	X.	±5°
.X	±0.38	.X	±3°
.XX	±0.25	.XX	±2°

PROJECTION	TITLE
UNITS	P.C.B CONNECTOR Pitch 2.54mm
SHEET SIZE	SERIES DS1070

DRAWING TYPE	CUSTOMER		
SCALE	1:1	SHEET	1 OF 1
DRAWING NO.	C-DS1070-XXXXXX-B		



晨翔电子有限公司

CONNFLY CONNFLY ELECTRONIC CO., LTD

CONNFLY

Tel:86-574-63510817

Fax:86-574-63510817

E-mail:sale@connfly.com

http://www.connfly.com

Add:East Industry Zone Kuang Yan Town Cixi Ningbo China

P.C:315333