

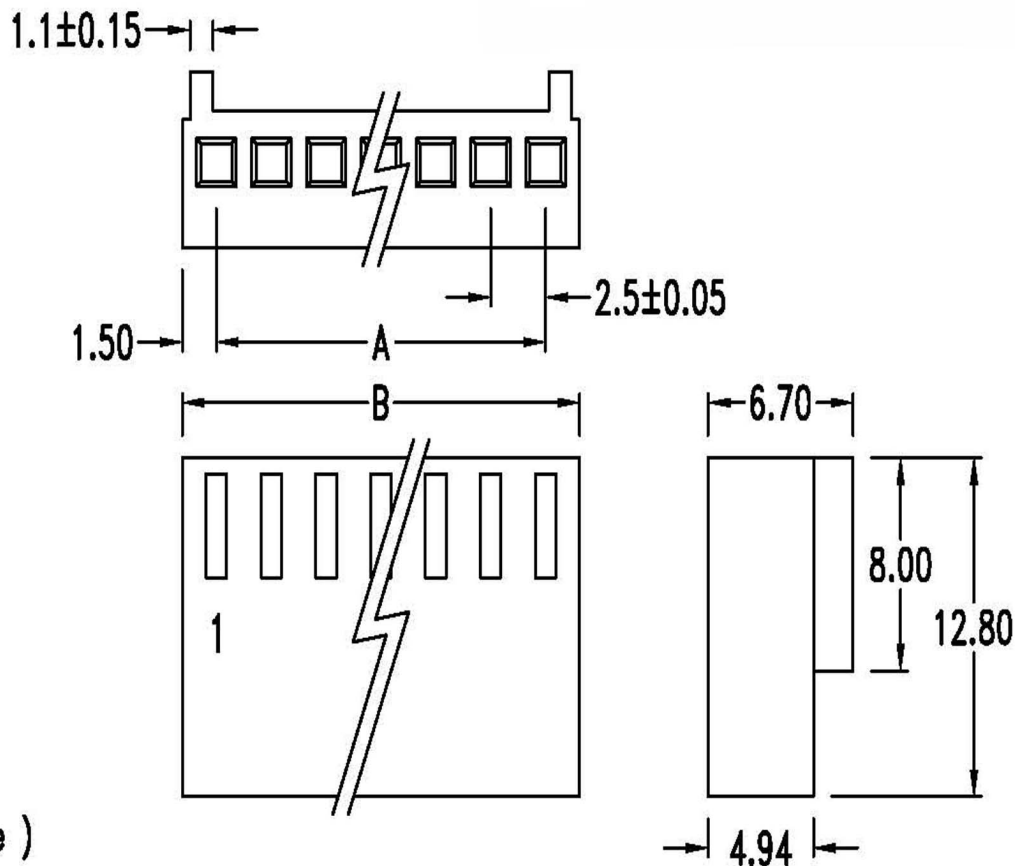
### Features:

- 2 ~ 20 circuits available
- Material: UL 94V-0 nylon
- Molded friction lock
- Accepts T2630 terminal
- Mates with W2730 headers

### Specification:

- Current rating: 3A AC, DC
- Voltage rating: 250V AC, DC
- Insulation resistance: 1000MΩ Min.
- Dielectric withstanding voltage: 1500V AC/minute
- Ambient temperature range: -40°C ~ 105°C

Dimensional Information ( mm ) ( Including temperature rise )



Circuits	Dim. A	Dim. B	Circuits	Dim. A	Dim. B	Circuits	Dim. A	Dim. B	Circuits	Dim. A	Dim. B
2	2.5±0.08	5.5	7	15.0±0.15	18.0	12	27.5±0.20	30.5	17	40.0±0.30	43.0
3	5.0±0.10	8.0	8	17.5±0.15	20.5	13	30.0±0.20	33.0	18	42.5±0.30	45.5
4	7.5±0.10	10.5	9	20.0±0.15	23.0	14	32.5±0.20	35.5	19	45.0±0.30	48.0
5	10.0±0.10	13.0	10	22.5±0.15	25.5	15	35.0±0.25	38.0	20	47.5±0.35	50.5
6	12.5±0.10	15.5	11	25.0±0.15	28.0	16	37.5±0.25	40.5			

RoHS Compliant		玄茂科技股份有限公司 HSUAN MAO TECHNOLOGY CO., LTD.	
APPD. 核准 BETTY	SCALE 比例 参考	UNLESS OTHERWISE SPECIFIED TOLERANCE .000 ± 0.1 ( mm ) .00 ± 0.2 ( mm ) .0 ± 0.3 ( mm )	PART NAME 品名 MX2.5mm HOUSING 1XXXP BEIGE ROHS LOW-LEAD
DWG. 製圖 BETTY	UNIT 單位 M M	SIZE. 紙張尺寸 A 4	PART NO. 料號 H2630-XXPC0000R
DATE 製表日 2008/09/15	PAGE 張數 1 OF 1	REV. 版本 A	