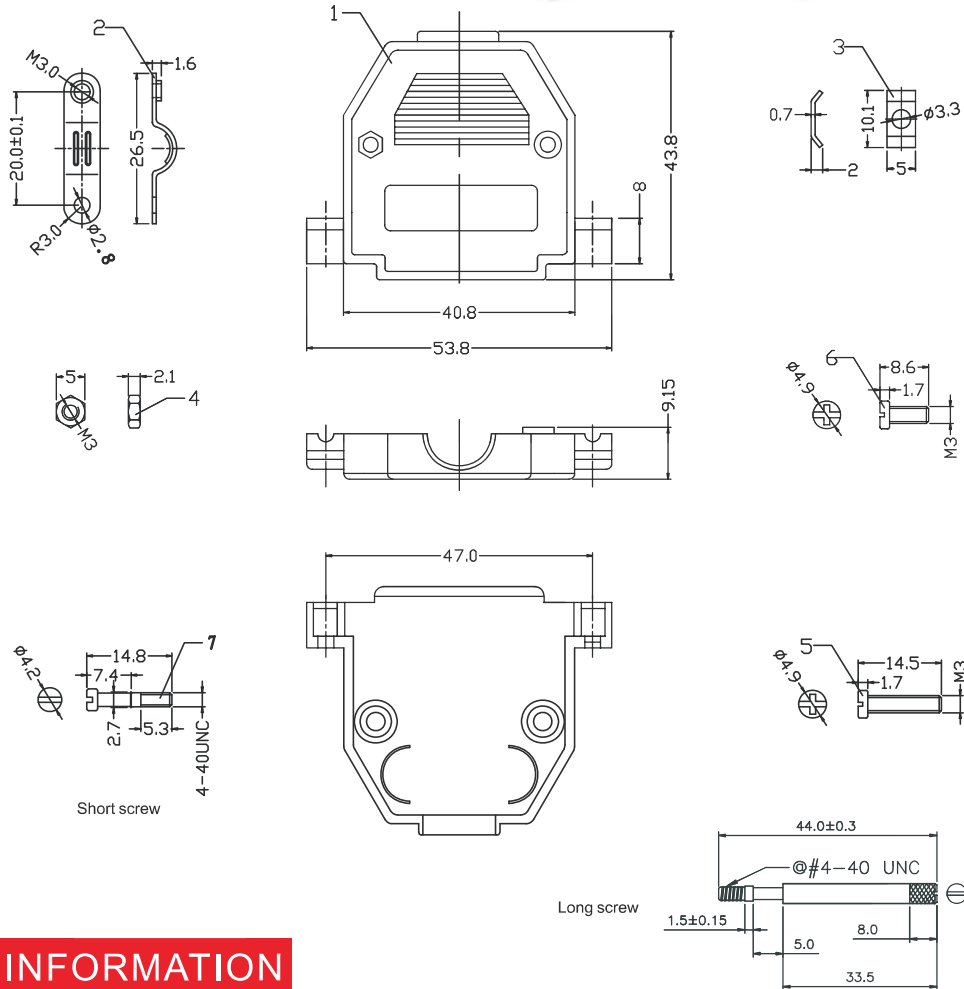




D-SUB Series

KLS1-DB D-SUB HOOD PLASTIC MATERIAL 09-37Pin

Cover Material: ABS Plastic
Screw Material: STEEL



ORDER INFORMATION

Product NO.: **KLS1-DB-25P-L G**

Pos. NO.	_____	Color: G-Gray B-Black
001=001 pos.	_____	L : Long screw
Contact Number of Row	_____	S : Short screw
DB=D-SUB HOOD PLASTIC MATERIAL	_____	Number of Contacts