

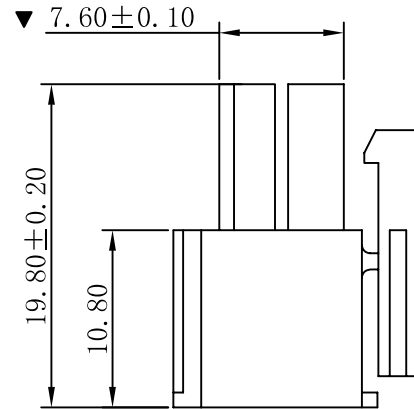
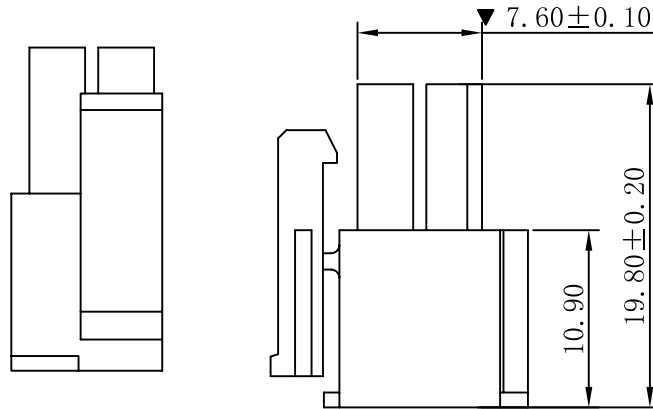
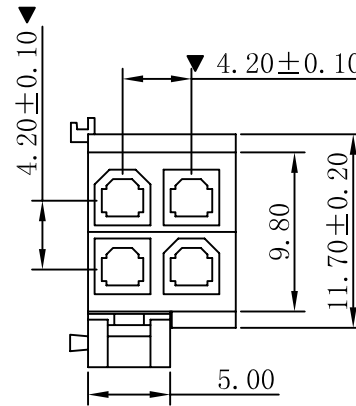
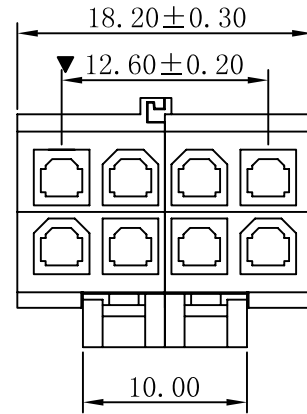
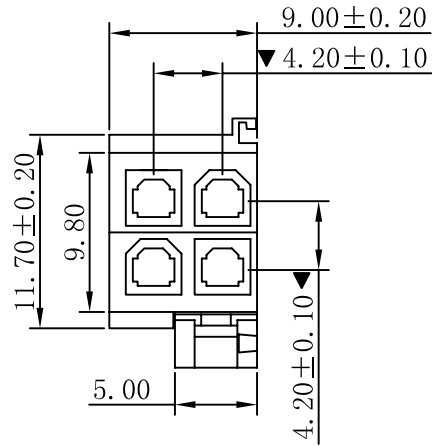
RoHS

■ SPECIFICATIONS

- Voltage rating: 600V AC, DC
- Current rating: 7A, AC, DC
- Withstanding Voltage: 1500V AC/minute
- Insulation resistance: 1000MΩ min
- Temperature range: -25° C~+85° C
- Contact resistance: 20mΩ max

■ HOUSING

- Housing Material: Nylon66 UL94V-2 Black
- Mates With: H4202 and W4202 dual row connectors
- Use With: T4202 terminals
- The Dimension Marked "▼" Must Be Recorded



| | | | | | | | | | |
|------------|-------------------|-------------|--------------|-------------------------------|--|-------------------------|-----|-----------------|-------------------|
| | | | | 一般公差 GENERAL TOLERANCE: | 0±0.30 .0±0.25 .00±0.20 .000±0.05 ANGLE: ±1° | KLS ELECTRONIC CO., LTD | | | |
| C | 修订版本 | 2015-11-04 | 陈雄军 | 绘图/DR | 陈雄军 | | | | |
| B | 变更图宽格式内容 | 2013-12-27 | 陈雄军 | 审核/CHECK | 胡进 | 单位/Unit | MM | 料号 (PART NO) | L-KLS1-4.20-44H00 |
| A | 新版本 | 2011-05-24 | 陈雄军 | 核准/APPRO | MR. feng | 比例/Scale | 1:1 | | |
| 版次 REV. | 说明 DESCRIPTION | 日期 DATE. | 承认 APPRO. | 日期/DATE | 2015-11-04 | 大小/SIZE | A4 | | |
| | | | | | | 页码/SHEET | 1/1 | | |
| | | | | | | 版本/Rev | C | | |