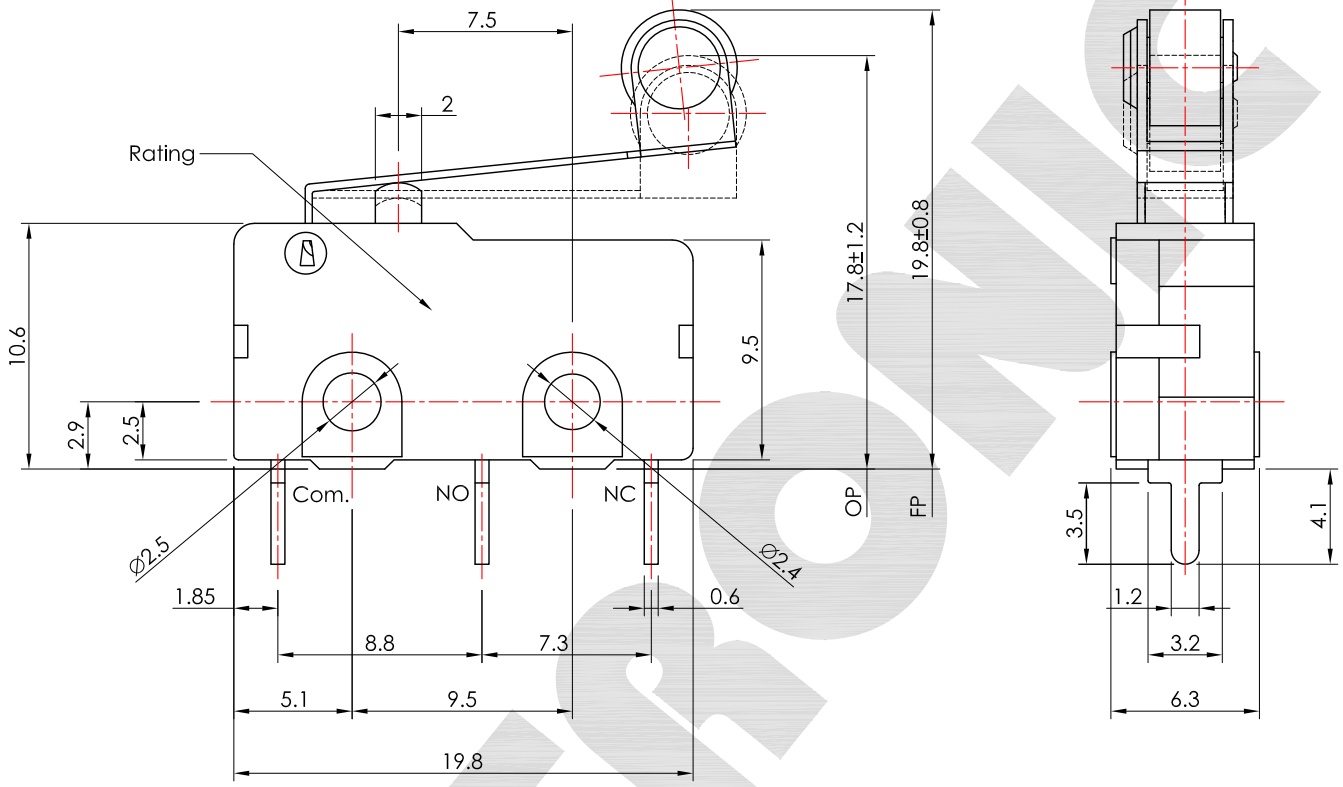


\*開關產品未經SWITRONIC同意，請勿拆解，否則無法負品質及安全責任。

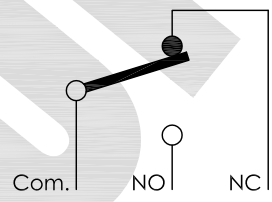
Please do not decompose the switch without any permission from SWITRONIC, otherwise the quality and safety responsibility could not be guaranteed.

\*本圖面若與目錄之規格尺寸不符，以本圖面規格尺寸為主。

Below is our main specification if different from catalog.



SCHEMATIC



RoHS compliant

SMX-05P-XXG-G

RATING	
3	3A 125V AC / 250V AC
5	5A 125V AC / 250V AC

OPERATING FORCE	
14, 20, 25, 30, 34, 40, (45), 50, 68, 75	( ): Standard

**SPECIFICATION**

- Rating: 5A 125 / 250V AC.
- Contact resistance: ≤100mΩ.(initial)
- Insulation resistance: ≥100MΩ at 500V DC.
- Withstand voltage: 1,000V AC for 1 minute.
- Operating temperature: -20°C ~ +80°C.
- Ambient humidity: <85%RH.
- Operating force: 45±20g.
- Minimum load: 200mA 10V DC.(reference only)
- Mechanical life: 1,000,000 Cycles.
- Electrical life: 10,000 Cycles.
- Soldering temperature: 225°C Max. for 3 sec.
- Soldering time: 1 time only.
- Note1: Unwashable, don't be immersed by epoxy and organic solvent.
- Note2: Please check the actual size, do not scale the drawing page.



V2.2			
V2.1	無	改 版	2015.05.27
V2.0	無	新繪製	2009.04.07
版本 VER.	符號 SYMBOL	修 改 內 容 ALTERATION	更 新 日 期 DATE

產品 PRODUCT		<b>Micro Switch</b>		型號 MODEL NO.		<b>SM5-05P-45G-G</b>	
比例 SCALE	3 : 1	單位 UNIT	mm	<div style="display: flex; justify-content: space-between; align-items: center;"> <div style="text-align: center;"> </div> <div style="text-align: center;"> </div> </div> <p style="text-align: center; font-weight: bold;">一綺電子企業股份有限公司</p> <p>總公司：110 台北市信義路四段415號13樓之3              13F-3 NO. 415, SEC. 4, HSIN YI ROAD, TAIPEI, TAIWAN              TEL：886-2-27290229 (Rep.) FAX：886-2-27582086              URL：http://www.switronic.com.tw              E-MAIL：switches@ms36.hinet.net</p>			
公差 TOLERANCE	.X=±0.3mm, .XX=±0.2mm						
製圖 DRAWN BY	核圖 CHECKED BY	主管 APPROVED BY					
<i>Allen Liao</i>	<i>Chuck Young</i>	<i>Margaret Lee</i>					