

1 2 3 4 5 6 7 8

A

B

C

D

E

F

G

H

A

B

C

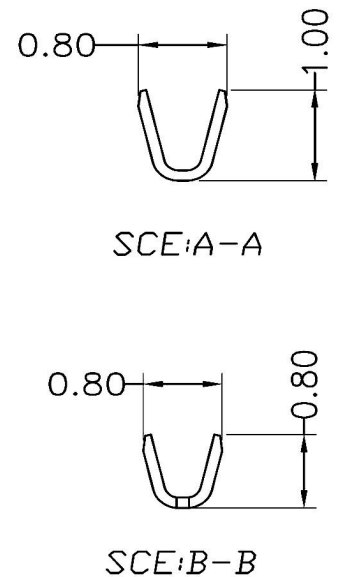
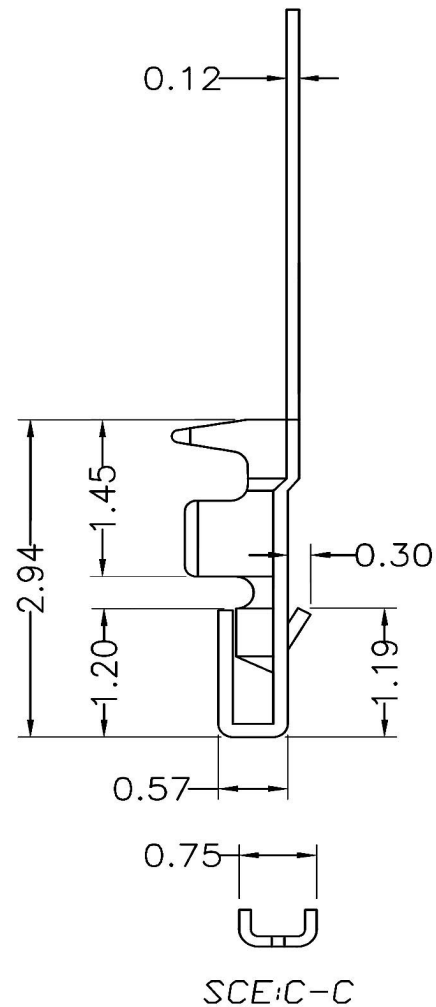
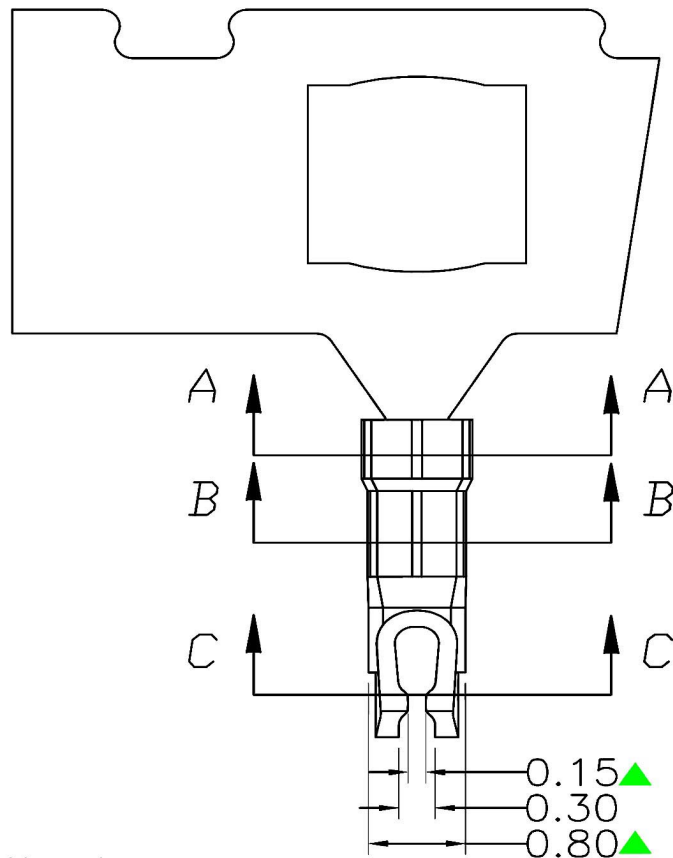
D

E

F

G

H



Specification:
 Current Rating:2A AC,DC
 Voltage Rating:50V AC, DC.
 Operating Temp:-25°C~+85°C.
 Insulation Resistance:100MΩ min.
 Dielectric Withstanding Voltage:800V AC 1 min.
 Contact Resistance:20mΩ max.

Specifications

Wire Range	Insulation O.D.	Material	Finish	Qty/reel
AWG#28-#32	0.38~0.63 mm	Phosphor Bronze	Gold-flash	15,000pcs

RoHS Compliant		HSM 玄茂科技股份有限公司 HSUAN MAO TECHNOLOGY CO., LTD.	
APPD. 核准 Betty	SCALE 比例 参考	GENERAL TOLERANCE .X ±0.3 .XX ±0.2 .XXX ±0.1	PART NAME 品名 1.2mm TERMINAL MATERIAL:PHOSPHOR BRONZE GOLD FLASH PLATING SUITABLE AWG28-32 ROHS
DWG. 製圖 Helen	UNIT 單位 M M	SIZE. 紙張尺寸 A 4	PART NO. 料號 T1201-GPP00000R
DATE 制表日 2020/7/31	PAGE 張數 1 OF 1	REV. 版次 A	

1 2 3 4 5 6 7 8