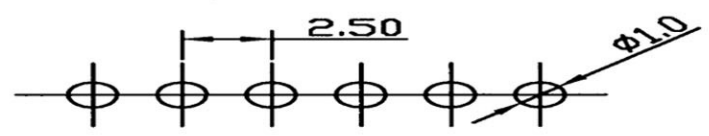
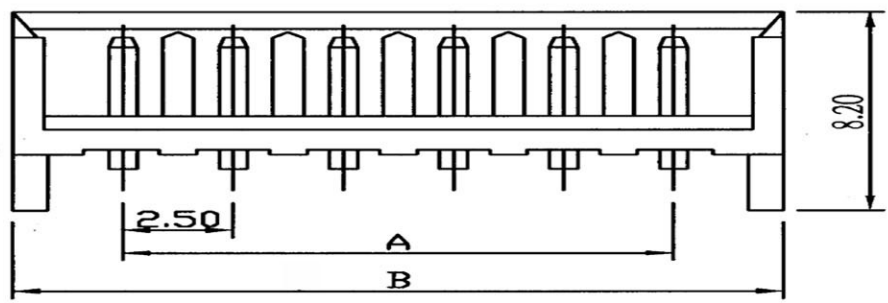
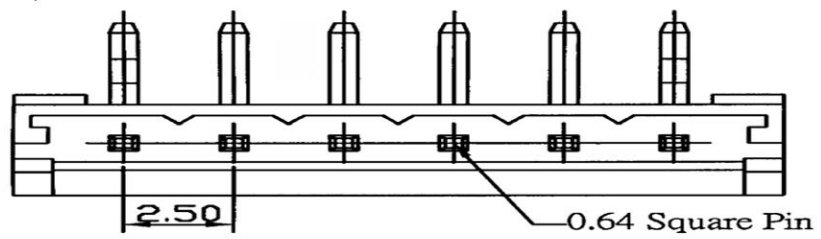
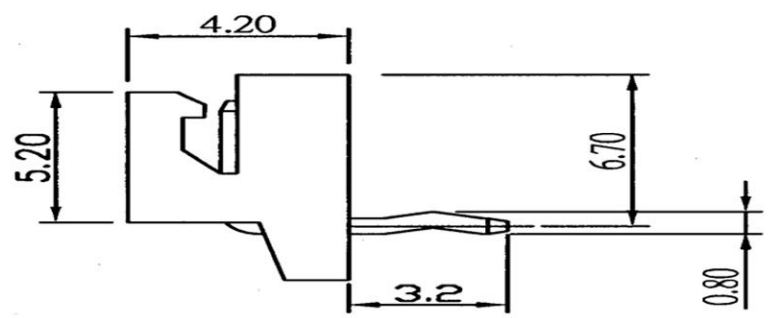


1 2 3 4 5 6 7 8

A
B
C
D
E
F
G
H



RECOMMENDED P.C. BOARD HOLE DIMM.



1 2 3 4 5 6 7 8

SPECIFICATIONS

Electrical
 Current Rating: 2.5A AC, DC
 Voltage Rating: 250V AC/ max.
 Operating Temp.: -25°C ~ +85°C
 Insulation Resistance: 1000MΩ/ min.
 Dielectric Withstanding Voltage: 800V AC/ min.
 Contact Resistance: 10mΩ/ max.

Material
 Terminal Material: Brass, Copper-Undercoated,/
 Tin-Lead plated
 Material: Nylon 66, UL94V-0

Poles	Dimension mm (in.)	
	A	B
2	2.50 (0.098)	7.50 (0.295)
3	5.00 (0.197)	10.00 (0.394)
4	7.50 (0.295)	12.50 (0.492)
5	10.00 (0.394)	15.00 (0.591)
6	12.50 (0.492)	17.50 (0.689)
7	15.00 (0.591)	20.00 (0.787)
8	17.50 (0.689)	22.50 (0.886)
9	20.00 (0.787)	25.00 (0.984)
10	22.50 (0.886)	27.50 (1.802)
11	25.00 (0.984)	30.00 (1.181)
12	27.50 (1.802)	32.50 (1.280)
13	30.00 (1.181)	35.00 (1.378)
14	32.50 (1.280)	37.50 (1.476)
15	35.00 (1.378)	40.00 (1.575)

RoHS Compliant	HSM 玄茂科技股份有限公司 HSUAN MAO TECHNOLOGY CO., LTD.	
	APPD. 核准	TOLERANCE 容許公差 0 ± 0.3 0.00 ± 0.2 ANG ±
DWG. 製圖 HELEN	SCALE 比例 參考	PART NAME 品名 2.5mm WAFER XXP RIGHT ANGLE TYPE TIN PLATED WHITE COLOR ROHS LOW-LEAD
DATE 制表日 2008/9/10	UNIT 單位 MM	PART NO. 料號 W2620-XXPRTW00R
	PAGE 張數 1 OF 1	REV. 版本 A

A
B
C
D
E
F
G
H