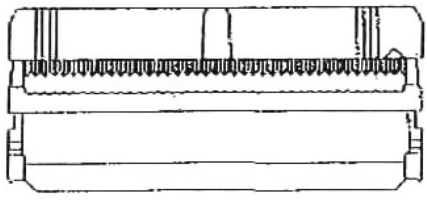
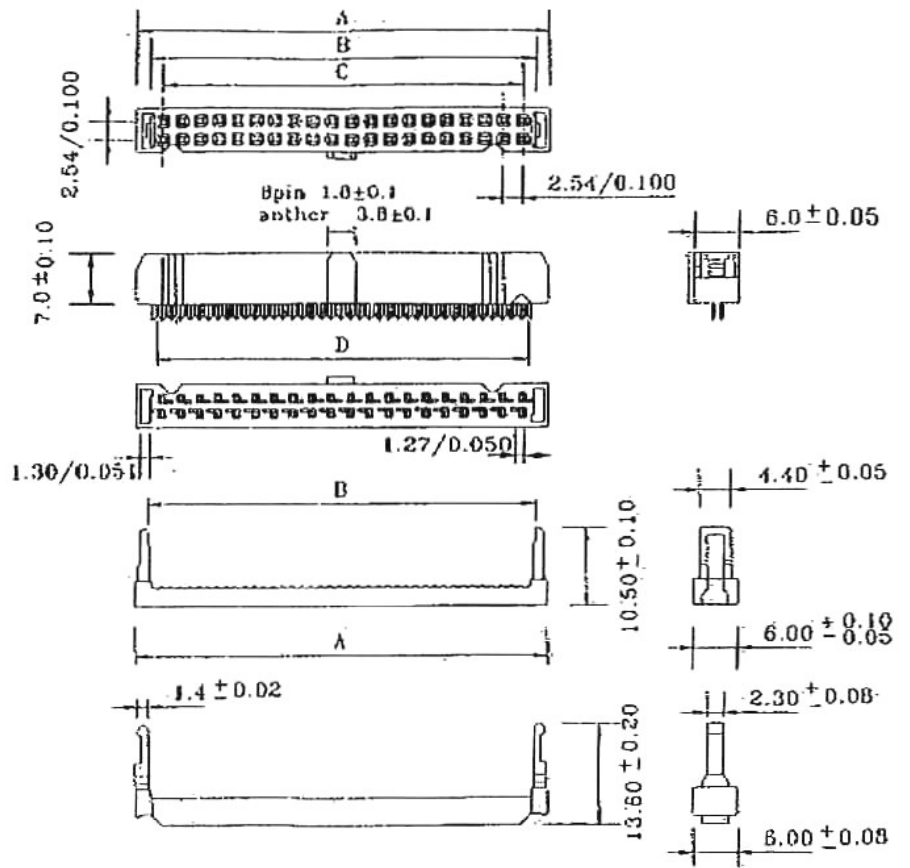


1 2 3 4 5 6 7 8



**SPECIFICATION**  
 Electric  
 Current Rating: 1Amp DC  
 Contact Resistance: 30m ohms Max. At 6V DC 0.3A  
 Insulation Resistance: 1000 M ohms Min. At 500V DC  
 Operating Temperature: -55C ~ +105C  
 Dielectric Withstanding: 500V AC/Minute.  
 Material  
 Contact: Phosphor Bronze Gold Flash Over Nickel  
 Insulator: PBT & Glass-Fiber Reinforced UL94V-0

Shell Size	A ±0.20 ±0.008	B ±0.10 ±0.004	C ±0.10 ±0.004	D ±0.10 ±0.004
6P	12.18/0.400	8.50/0.335	5.08/0.200	8.35/0.250
8P	14.72/0.580	11.04/0.435	7.62/0.300	8.89/0.350
10P	17.40/0.685	13.60/0.535	10.16/0.400	11.43/0.450
12P	19.80/0.780	16.08/0.633	12.70/0.500	13.97/0.550
14P	22.45/0.884	18.65/0.734	15.24/0.600	16.51/0.650
16P	25.00/0.987	21.22/0.835	17.78/0.700	19.05/0.750
20P	30.20/1.109	26.30/1.035	22.86/0.900	24.13/0.950
24P	35.04/1.380	31.30/1.232	27.94/1.100	29.21/1.150
26P	37.70/1.404	33.84/1.332	30.48/1.200	31.75/1.250
30P	42.70/1.681	38.90/1.531	35.58/1.400	36.83/1.450
34P	47.84/1.883	44.05/1.734	40.64/1.600	41.91/1.650
40P	55.50/2.188	51.68/2.035	48.26/1.900	49.53/1.950
50P	68.14/2.602	64.32/2.532	60.96/2.400	62.23/2.450
60P	81.04/3.191	77.20/3.040	73.66/2.900	74.93/2.950
64P	85.04/3.780	82.14/3.234	78.74/3.100	80.01/3.150



**ORDER INFORMATION**

C3001 —

06-64 Y: W/ SR N: W/O SR Y: With Bump N: W/O Bump T: Tin S: Selective Gold G: Gold Flash A: Gold 50u B: Gold 100u C: Gold 150u D: Gold 300u B: Black L: Blue Fill It With "0" Fill It With "0"

玄茂科技股份有限公司  
 HSUAN MAO TECHNOLOGY CO., LTD.

UNIT		SCALE		PART NAME	
MM		3:1		2.54mm IDC SOCKET	
APPD.	CKD.	TOLERANCE	PART NO.	REV.	
		± 0.3	C3001-XXXXXX00	A	

制表日: 2002/12/04  
 DRAWING. APPROVED  
*Jane*

1 2 3 4 5 6 7 8