

A-A

TERMINAL

Part No: T2003-TPJ00000

Material: Phos. Bronze

Thickness: 0.2mm

Plating: Tin plated 60u"

Wire Range: Suitable for AWG#22-28

Insulation  $\square$ .D: 1.4mm(mas)

Q'TY: 10,000 pcs/roll

SPECIFICATIONS

Rated Voltage: 100V AC,DC

Rated Current: 1A

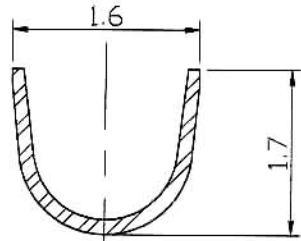
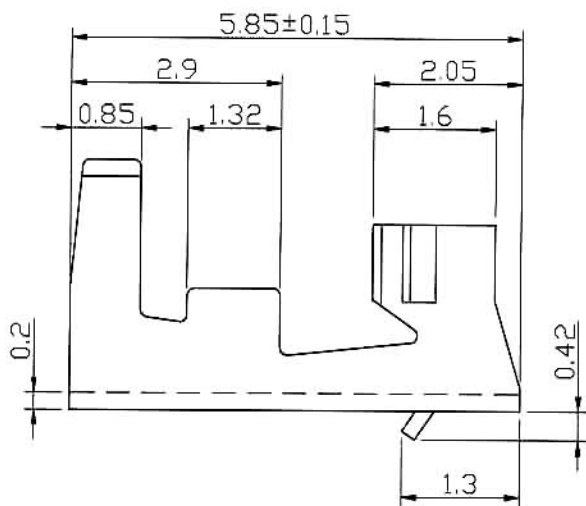
Withstand Voltage: 800V AC/minute

Insulation Resistance: 1,000M $\omega$ min

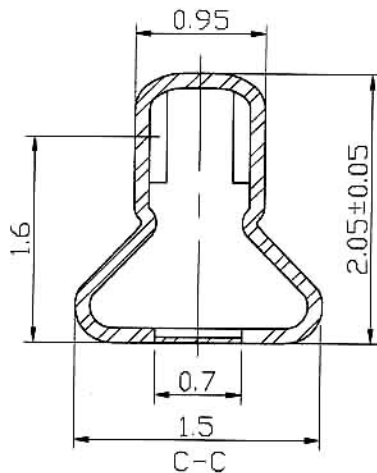
Temperature Range: -25-95°C

Applicable P.C.B. Thickness: 0.8mm-1.6mm

Applicable P.C.B. Hole dia: 0.8mm±0.05mm



B-B



C-C

玄茂科技股份有限公司  
HSUAN MAO TECHNOLOGY CO., LTD.

制表日: 2002/12/04

DRAWING.

Angus

APPROVED

APPD.

CKD.

TOLERANCE

±0.5

PART NO.

T2003-TPJ00000

REV.

A

UNIT

MM

SCALE

2:1

PART NAME

PH2.0mm TERMINAL