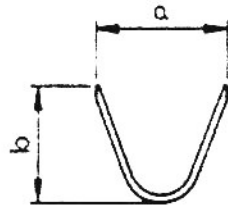
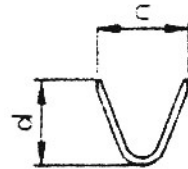


Features :

- Used in 2430 series socket.
- Accepts AWG #18~22 wire range.
- Material : Brass
- Q' ty : 8,000 pcs/roll

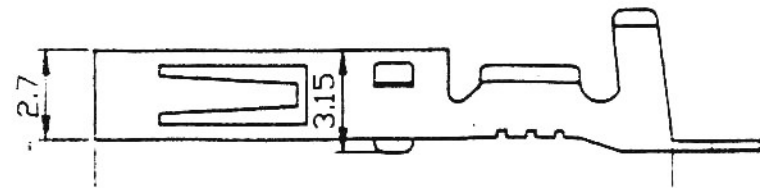
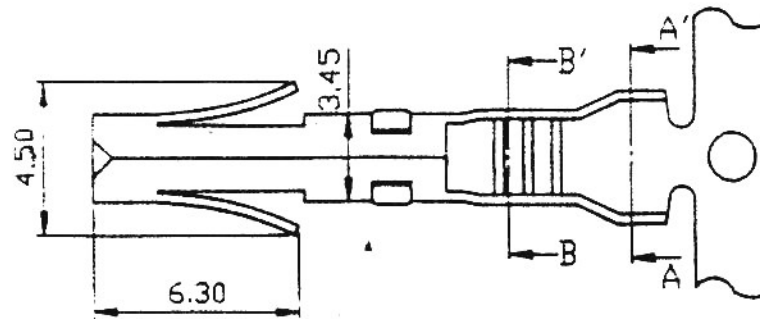


Section A-A'



Section B-B'

a	b	c	d
4.10	3.30	2.70	2.40



玄茂科技股份有限公司

HSUAN MAO TECHNOLOGY CO.,LTD.

製表日:2000/05/14

DWG.
TINA

APPROVED
SHELLEY

UNIT
MM

SCALE
2 : 1

PART NAME
TERMINAL

APPD.

CKD.

TOLERANCE

± 0.5

PART NO.

T2430-TBD00000

REV.

A