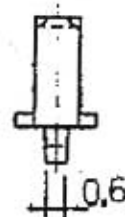
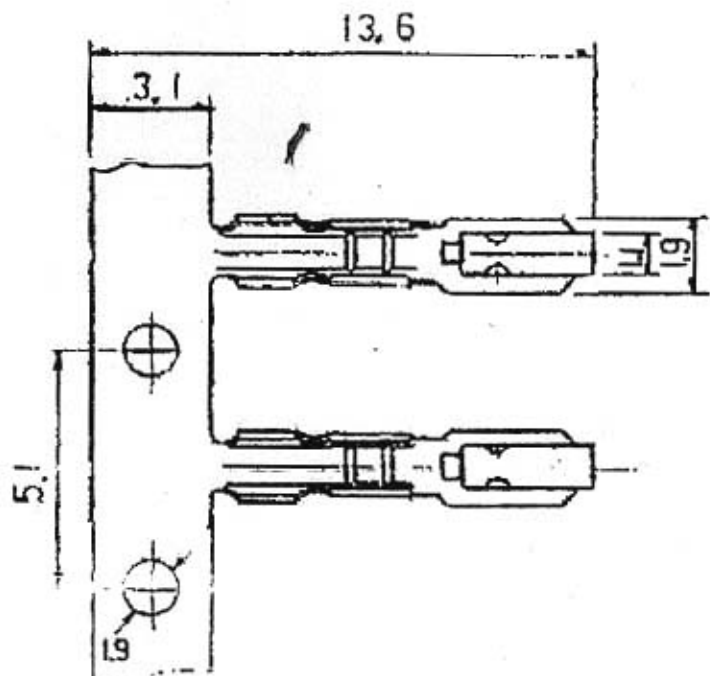
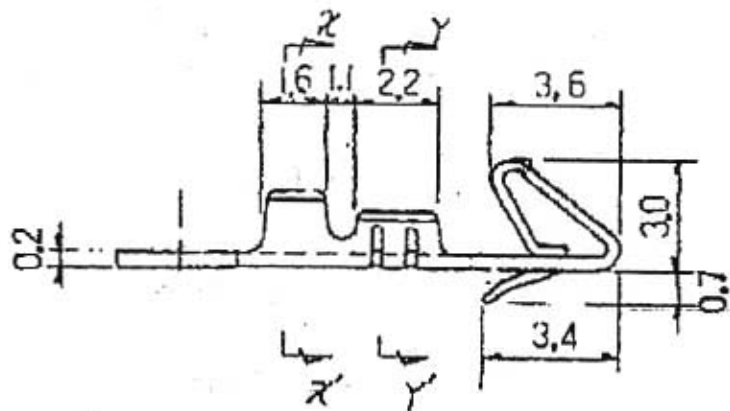


NOTE:

- MATERIAL: 0.2M/M THICK BRASS(PHOS) PLATE WITH SPRING TEMPER.
- FINISH : TIN PLATED

尺寸範圍 DIM			
0.5~6	0.05	0.10	0.20
6~30	0.10	0.20	0.50
30~120	0.15	0.30	0.80
120~315	0.20	0.50	1.20
315~1000	0.30	0.80	2.00
1000~2000	0.50	1.20	3.00



玄茂科技股份有限公司  
HSUAN MAO TECHNOLOGY CO.,LTD.

製表日:2000/05/14

DWG. TINA  
APPROVED SHELLY

UNIT		SCALE	PART NAME	
MM		2 : 1	TERMINAL	
APPD.	CKD.	TOLERANCE	PART NO.	REV.
		± 0.5	2510-T-T	A