

Features:

- Available in 2 thru 24 circuits
- Material: 6T
- .025"(0.64mm) square pins
- Tin-plated brass pin
- Standard color: Black

Specifications:

- Current rating:

Wire size	# 20	# 22	# 24	# 26	# 28	# 30
Ampere	5 A	5 A	4 A	3 A	2 A	1 A

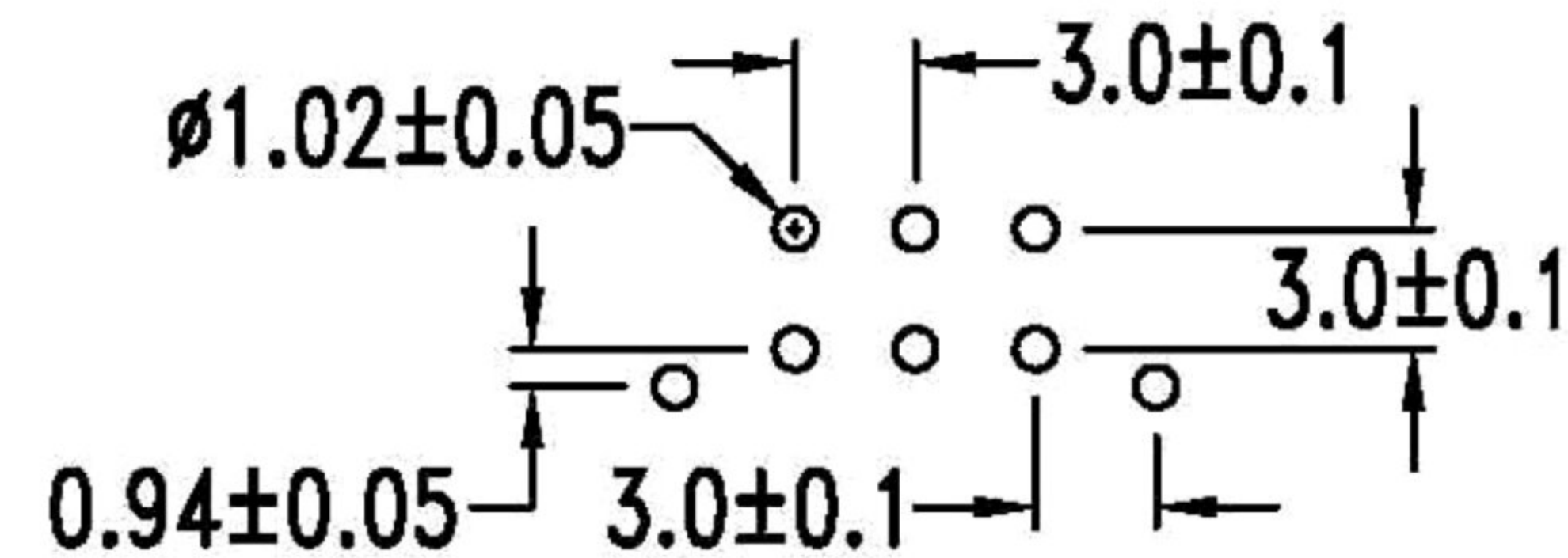
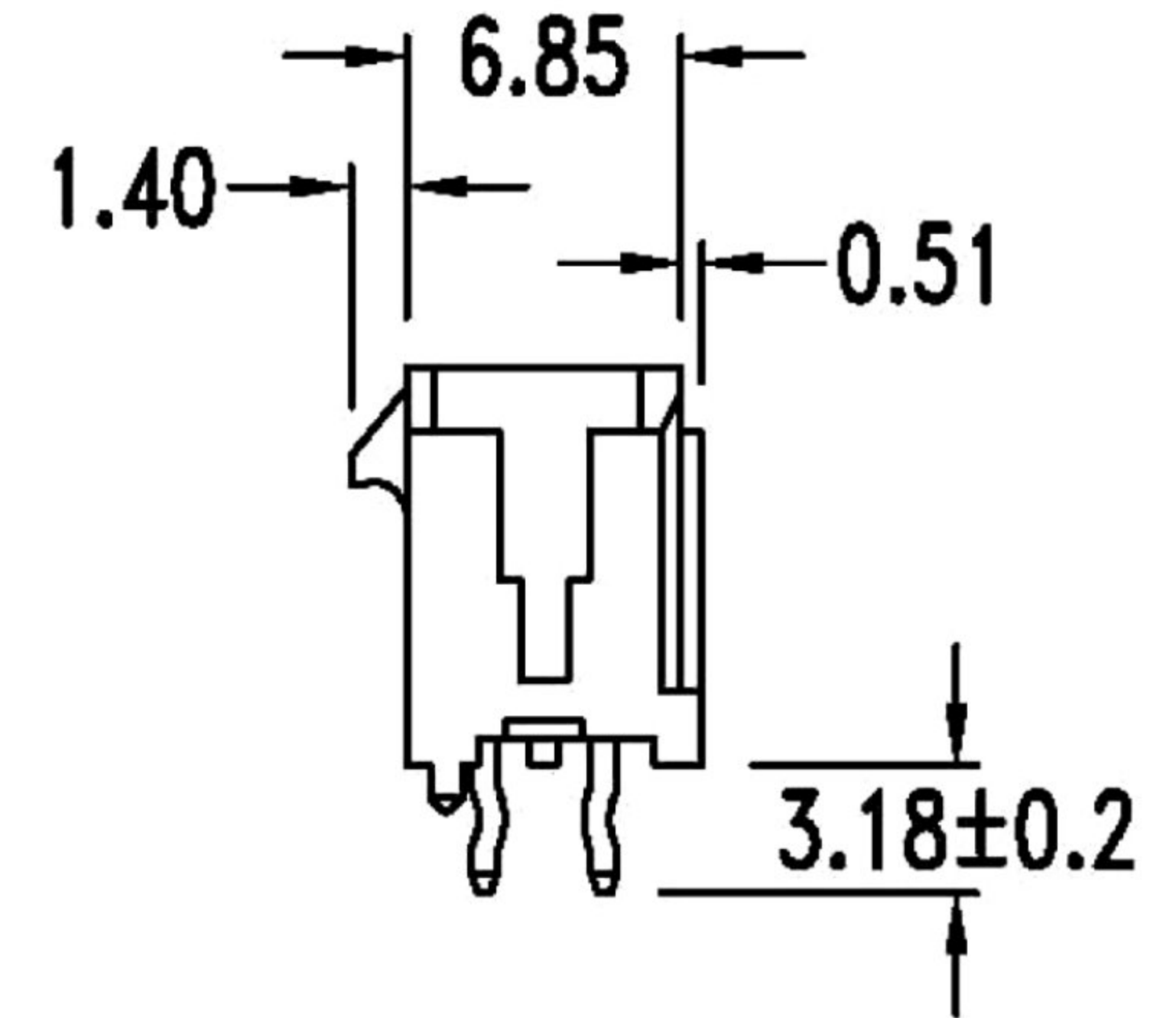
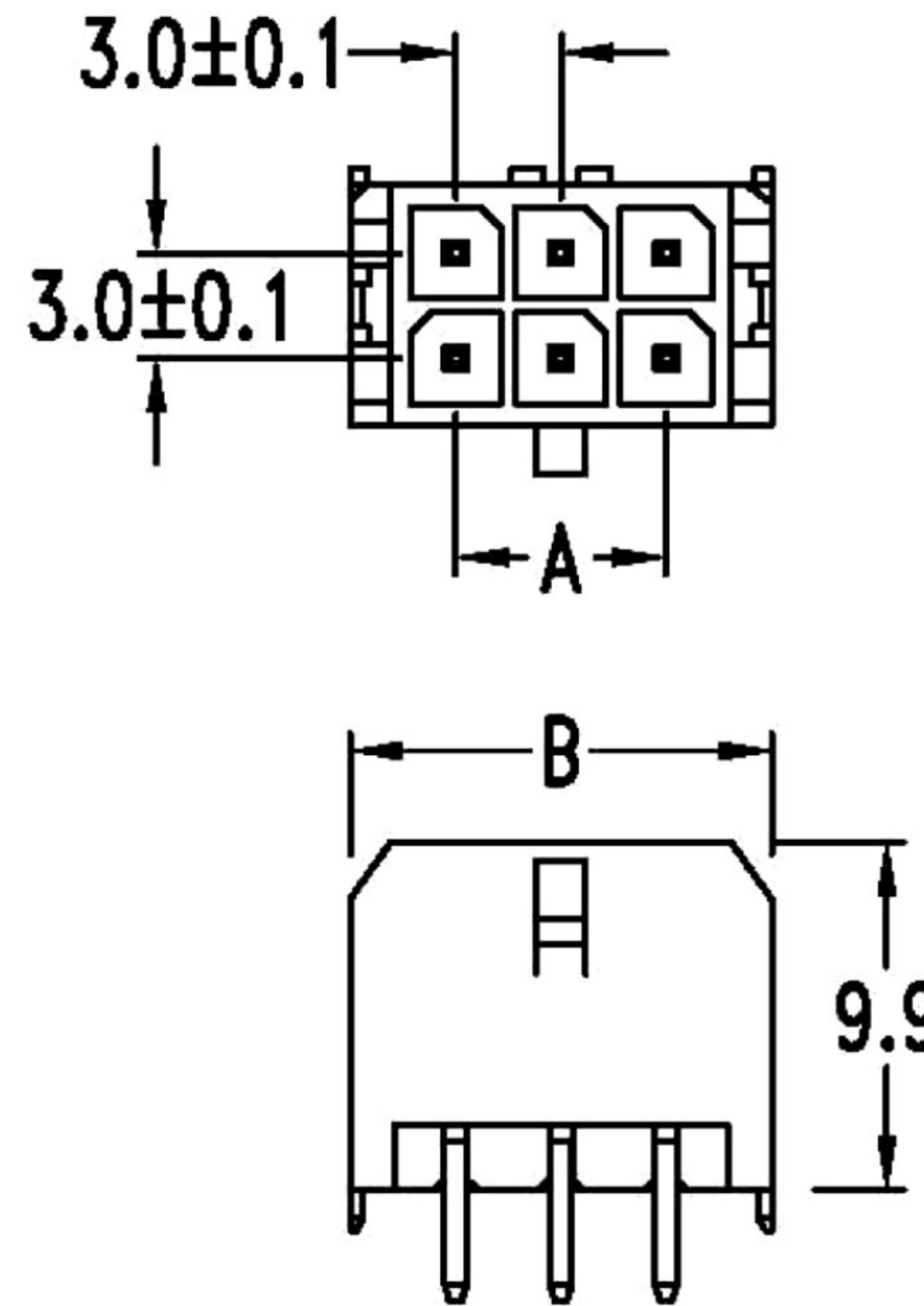
- Voltage rating: 250V
- Contact resistance: 10mΩ Max.
- Dielectric strength: 1500V AC/minute
- Temperature rise: 30°C max.
(carry rated current load)

Dimensional Information

Circuits	Dim. A	Dim. B	Circuits	Dim. A	Dim. B
2		6.7	6	6.0	12.65
4	3.0	9.65	8	9.0	15.65

Circuits	Dim. A	Dim. B	Circuits	Dim. A	Dim. B
10	12.0	18.65	14	18.0	24.65
12	15.0	21.65	16	21.0	27.65

Circuits	Dim. A	Dim. B	Circuits	Dim. A	Dim. B
18	24.0	30.65	22	30.0	36.65
20	27.0	33.65	24	33.0	39.65



PCB Layout: Component side
Recommended PCB thickness:.062"(1.57mm)

RoHS Compliant		HSM 玄茂科技股份有限公司 HSUAN MAO TECHNOLOGY CO., LTD.	
APPD. 核准 Betty	SCALE 比例 参考 UNIT 單位 M M PAGE 張數 1 OF 1	UNLESS OTHERWISE SPECIFIED TOLERANCE .000 ± 0.05 (mm) .00 ± 0.15 (mm) .0 ± 0.25 (mm)	PART NAME 品名 MICRO-FIT 3.0 DOUBLE ROW WAFER 2XXXP STRAIGHT TYPE TIN PLATING BLACK INSULATOR ROHS
DATE 制表日 2012/08/20	REV. 版次 C	PART NO. 料號 W4230-XXPDSTB0R	